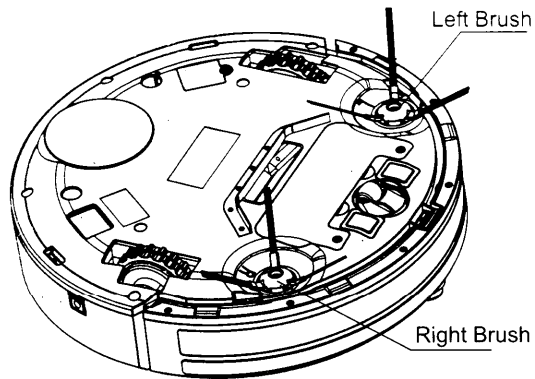



Quick Start Guide

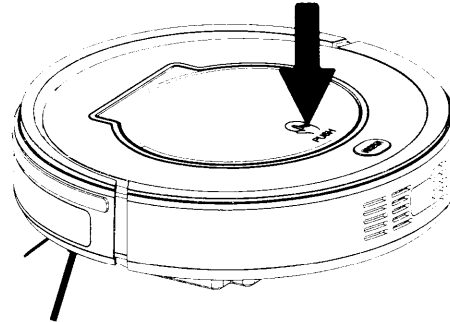
1. Install left and right side brush

Side brushes are plug-and-play, no tools needed.

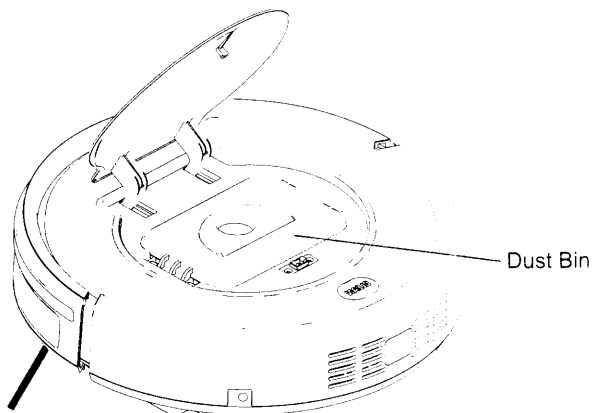


2. Push the top button to open the cover

Push the  icon, until you hear the click sound to open or lock the cover.



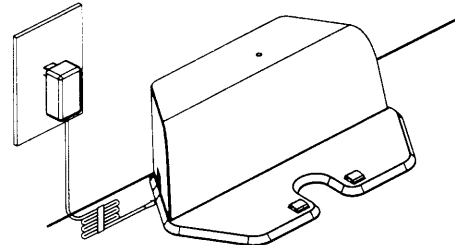
3. Please check the Dust Bin before first use.



the side of the Rollibot

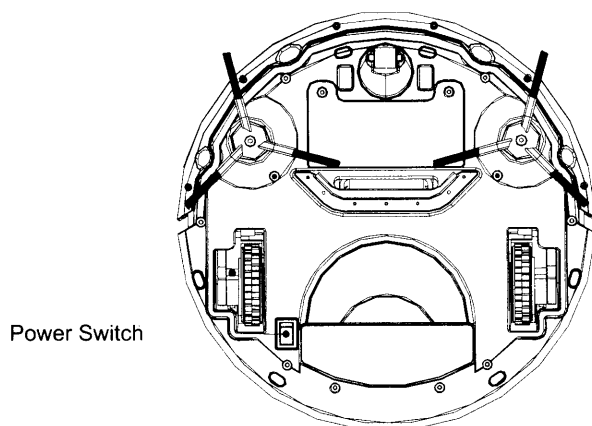
4. Place the charging station against a wall or furniture

You should position the charging base on a hard surface and in an area where RolliMini has a clear path to return.



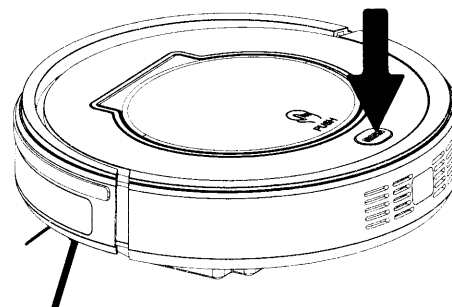
5. Turn on the Power Switch

Power switch is located on the bottom of the RolliMini



6. Press CLEAN button or Use remote control to start automatic cleaning

Enjoy the easy life!



* For More information about cleaning modes and schedule setting, please refer to the user manual.